

MODULITE™

**F+B SERVING SYSTEMS**

**rosseto**  
SERVING SOLUTIONS

# MODULITE™

## TABLE SYSTE





PATENTED

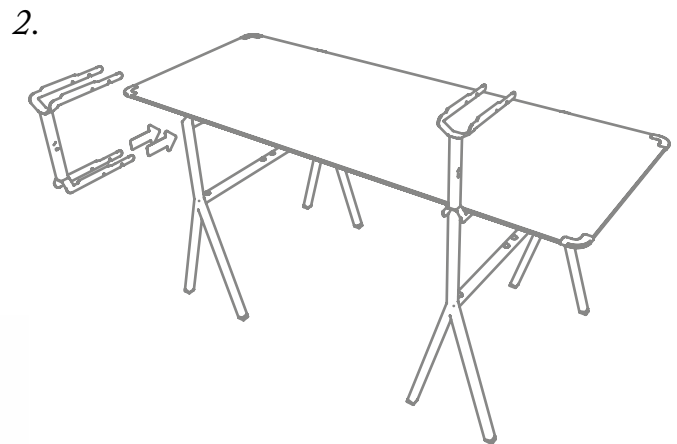
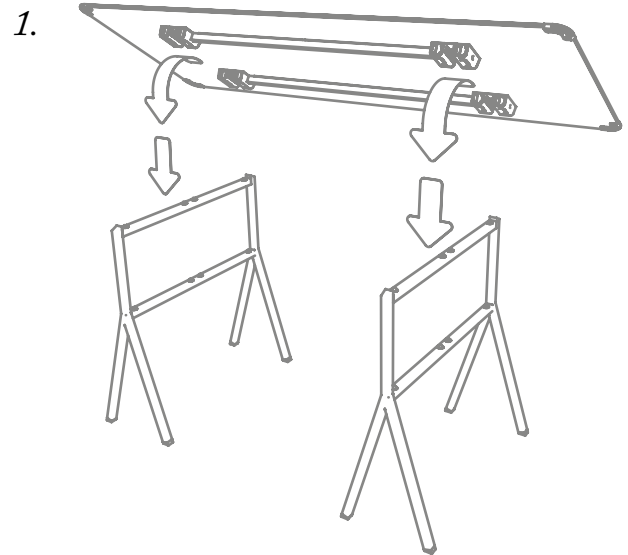
# MODULITE™

Introducing Modulite,™ our revolutionary table system designed for the hospitality and catering industry. Crafted from premium materials, our tables offer easy assembly without the need for tools. In just one minute, one person can set up our tables, saving you time and effort. With versatile accessories, transform Modulite tables into stylish action stations. Experience the future of event organization with our exceptional table system. Visit our website for more information.



# CREATE YOUR OWN STATION. IT'S AS EASY AS 1,2,3!

- *No tools required*
- *Set up & tear down your station in minutes*
- *Durable water & heat resistant surfaces*
- *Patented easy snap technology*
- *Easy one person set up*
- *Requires minimal storage space*
- *Endless configurations to meet your individual needs*



# MODULITE™

## 2 LEVEL QUARTER ROUND TABLE TOP KITS





**Modulite™ 2 level Kit, Walnut 2  
Qtr Round Table Top, Black Legs**  
64.5 x 33.5 x 31.8 in  
163.8 x 85.1 x 80.8 cm  
Item # MT-2005WB  
**Stainless Steel Legs**  
Item # MT-2005WS

**Modulite™ 2 level Kit, Natural Wood 2  
Qtr Round Table Top, Black Legs**  
64.5 x 33.5 x 31.8 in  
163.8 x 85.1 x 80.8 cm  
Item # MT-2006NWB  
**Stainless Steel Legs**  
Item # MT-2006NWS



**Modulite™ 2 level Kit, Concrete Gray 2 Qtr  
Round Table Top, Stainless Steel Legs**  
64.5 x 33.5 x 31.8 in  
163.8 x 85.1 x 80.8 cm  
Item # MT-2007CGS  
**Black Legs**  
Item # MT-2007CGB

**Modulite™ 2 level Kit, Black Marble 2  
Qtr Round Table Top, Black Legs**  
64.5 x 33.5 x 31.8 in  
163.8 x 85.1 x 80.8 cm  
Item # MT-2008BMB  
**Stainless Steel Legs**  
Item # MT-2008BMS



# MODULITE™

## 3 LEVEL KITS





**Modulite™ 3 Level Kit, Walnut  
2 Table Top, 1 Shelf, Stainless  
Steel Legs**

71 x 30 x 43.2 in  
180.3 x 76.2 x 109.8 cm  
Item # MT-3001WS

**Black Legs**  
Item # MT-3001WB



**Modulite™ 3 Level Kit, Natural Wood  
2 Table Top, 1 Shelf, Black Legs**

71 x 30 x 43.2 in  
180.3 x 76.2 x 109.8 cm  
Item # MT-3002NWB

**Stainless Steel Legs**  
Item # MT-3002NWS

**Modulite™ 3 Level Kit, Concrete  
Gray 2 Table Top, 1 Shelf,  
Stainless Steel Legs**

71 x 30 x 43.2 in  
180.3 x 76.2 x 109.8 cm  
Item # MT-3003CGS

**Black Legs**  
Item # MT-3003CGB



**Modulite™ 3 Level Kit, Black  
Marble 2 Table Top, 1 Shelf,  
Stainless Steel Legs**

71 x 30 x 43.2 in  
180.3 x 76.2 x 109.8 cm  
Item # MT-3004BMS

**Black Legs**  
Item # MT-3004BMB

# MODULITE™

2 LEVEL KITS WITH DISPLAY FRAME





**Modulite™ 2 Level Kit, Walnut 2 Table Top, Chalkboard, Black Display Frame & Legs**  
 71 x 30 x 87.3 in  
 180.3 x 76.2 x 221.7 cm  
 Item # MT-2001WB  
**Stainless Steel Display Frame & Legs**  
 Item # MT-2001WS



**Modulite™ 2 Level Kit, Natural Wood 2 Table Top, Chalkboard, Stainless Steel Display Frame & Legs**  
 71 x 30 x 87.3 in  
 180.3 x 76.2 x 221.7 cm  
 Item # MT-2002NWS  
**Black Display Frame & Legs**  
 Item # MT-2002NWB



**Modulite™ 2 Level Kit, Concrete Gray 2 Table Top, Chalkboard, Black Display Frame & Legs**  
 71 x 30 x 87.3 in  
 180.3 x 76.2 x 221.7 cm  
 Item # MT-2003CGB  
**SS Display Frame & Legs**  
 Item # MT-2003CGS



**Modulite™ 2 Level Kit, Black Marble 2 Table Top, Chalkboard, Stainless Steel Display Frame & Legs**  
 71 x 30 x 87.3 in  
 180.3 x 76.2 x 221.7 cm  
 Item # MT-2004BMS  
**Black Display Frame & Legs**  
 Item # MT-2004BMB

# CREATE YOUR OWN STATION

## CHOOSE YOUR TABLE TOP FINISH



## CHOOSE YOUR FRAME FINISH



**Modulite™ Black Legs Set of 2**  
30 x 12.6 x 33.8 in  
76.2 x 32 x 85.9 cm  
Item # MT-BKLEG



**Modulite™ Stainless Steel Legs Set of 2**  
30 x 12.6 x 33.8 in  
76.2 x 32 x 85.9 cm  
Item # MT-SSLEG

# CHOOSE YOUR TABLE TOP



**Modulite™ Black Marble**  
**Rectangular HPL Table Top**  
71 x 27.5 x 0.3 in  
180.34 x 69.85 x 0.80 cm  
Item # MT-100BM



**Modulite™ Concrete Gray**  
**Rectangular HPL Table Top**  
71 x 27.5 x 0.3 in  
180.34 x 69.85 x 0.80 cm  
Item # MT-100CG



**Modulite™ Natural Wood**  
**Rectangular HPL Table Top**  
71 x 27.5 x 0.3 in  
180.34 x 69.85 x 0.80 cm  
Item # MT-100NW



**Modulite™ Walnut**  
**Rectangular HPL Table Top**  
71 x 27.5 x 0.3 in  
180.34 x 69.85 x 0.80 cm  
Item # MT-100W



**Modulite™ Natural Wood**  
**HPL Quarter Round Table Top**  
64.5 x 28 x 0.3 in  
162.56 x 71.12 x 0.80 cm  
Item # MT-300NW



**Modulite™ Walnut HPL**  
**Quarter Round Table Top**  
64.5 x 28 x 0.3 in  
162.56 x 71.12 x 0.80 cm  
Item # MT-300W



**Modulite™ Black Marble**  
**HPL Quarter Round Table Top**  
64.5 x 28 x 0.3 in  
162.56 x 71.12 x 0.80 cm  
Item # MT-300BM



**Modulite™ Concrete Gray**  
**HPL Quarter Round Table Top**  
64.5 x 28 x 0.3 in  
162.56 x 71.12 x 0.80 cm  
Item # MT-300CG

## CHOOSE YOUR SHELF



**Modulite™ Black Marble**  
**Rectangular HPL Table Shelf**  
59 x 13.85 x 0.3 in  
149.86 x 35.18 x 0.80 cm  
Item # MT-200BM



**Modulite™ Concrete Gray**  
**Rectangular HPL Table Shelf**  
59 x 13.85 x 0.3 in  
149.86 x 35.18 x 0.80 cm  
Item # MT-200CG



**Modulite™ Natural Wood**  
**Rectangular HPL Table Shelf**  
59 x 13.85 x 0.3 in  
149.86 x 35.18 x 0.80 cm  
Item # MT-200NW



**Modulite™ Walnut Rectangular**  
**HPL Table Shelf**  
59 x 13.85 x 0.3 in  
149.86 x 35.18 x 0.80 cm  
Item # MT-200W



**Modulite™ Concrete Gray**  
**14" Round HPL Table Top**  
14 x 14 x 0.3 in  
35.56 x 35.56 x 0.80 cm  
Item # MT-400CG



**Modulite™ Natural Wood**  
**14" Round HPL Table Top**  
14 x 14 x 0.3 in  
35.56 x 35.56 x 0.80 cm  
Item # MT-400NW

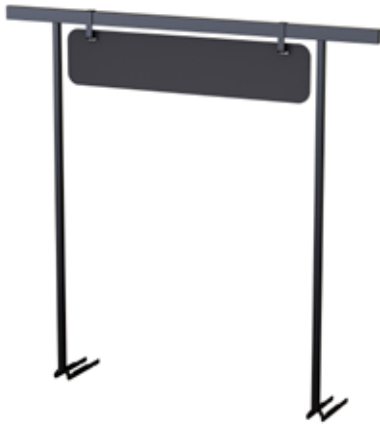


**Modulite™ Black Marble**  
**14" Round HPL Table Top**  
14 x 14 x 0.3 in  
35.56 x 35.56 x 0.80 cm  
Item # MT-400BM



**Modulite™ Walnut**  
**14" Round HPL Table Top**  
14 x 14 x 0.3 in  
35.56 x 35.56 x 0.80 cm  
Item # MT-400W

## CHOOSE YOUR ACCESSORIES



**Modulite™ Chalkboard Sign  
w/Black Display Frame Kit**  
58.5 X 9.9 X 56.7 in  
148.6 x 25.1 x 144.1 cm  
Item # MT-BKDFK  
**w/Stainless Steel Display  
Frame Kit**  
Item # MT-SSDFK



**Modulite™ Chalkboard Sign w/4.5'  
Stainless Steel Display Arm**  
10.1 x 2.4 x 56.7 in  
25.7 x 6.1 x 144.1 cm  
Item # MT-SSCBDA  
**w/4.5' Black Display Arm**  
Item # MT-BKCBDA



**Modulite™ Black Shelf  
Surface Bracket**  
10 x 3.8 x 12.3 in  
25.4 x 9.7 x 31.2 cm  
Item # MT-BKBRACKET  
**Modulite™ Stainless Steel  
Shelf Surface Bracket**  
Item # MT-SSBRACKET

## STORAGE AND TRANSIT



**Modulite™ Storage Cart**  
76.6 x 30 x 78.3 in  
194.5 x 76.2 x 199 cm  
Item # MT-CART

# SHAPES THAT WORK







PERFECT FOR THE  
OUTDOORS!





# WATER & HEAT

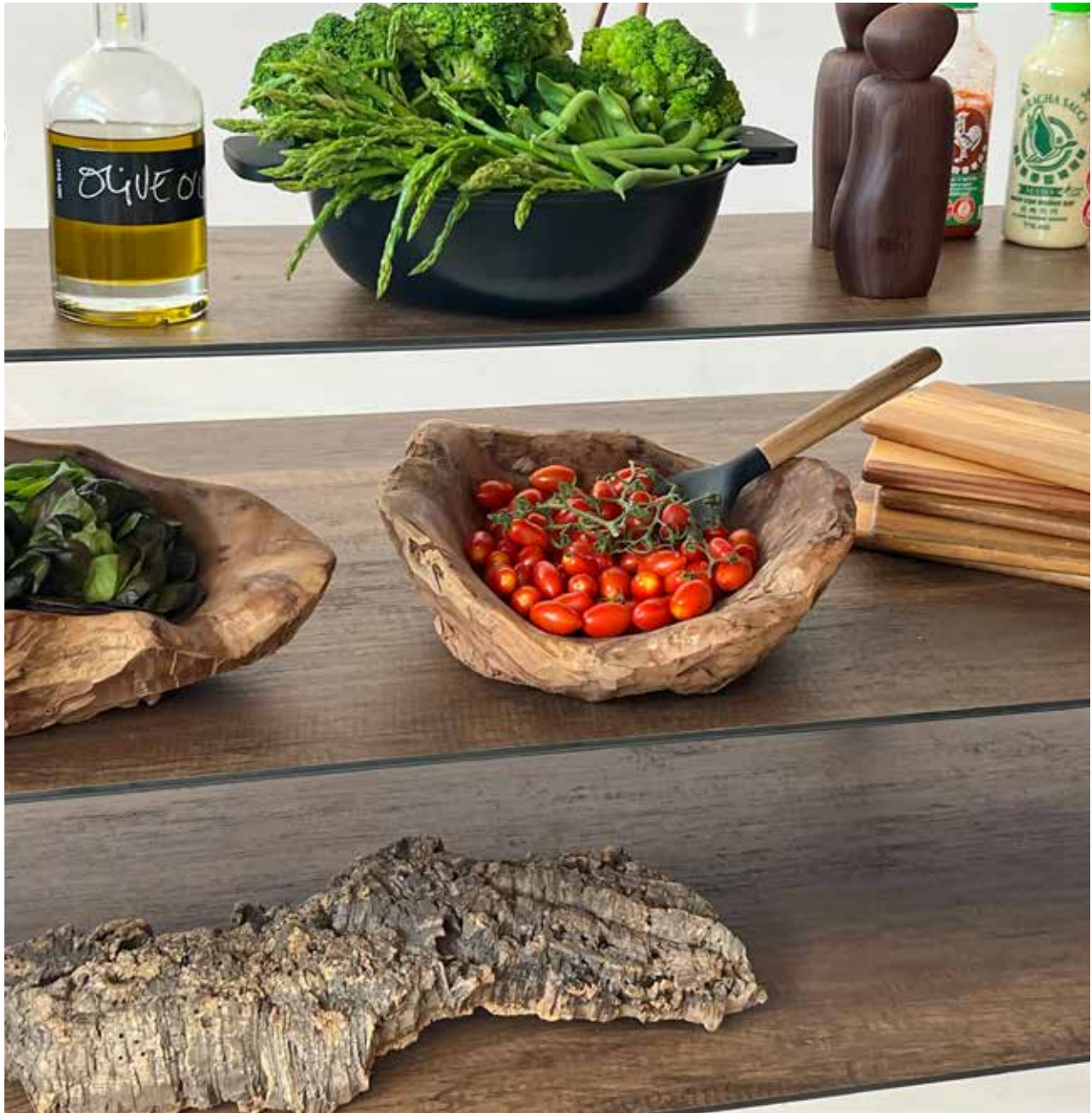
## RESISTANT SURFACES



WELCOME!



# DISCOVER THE TEXTURE



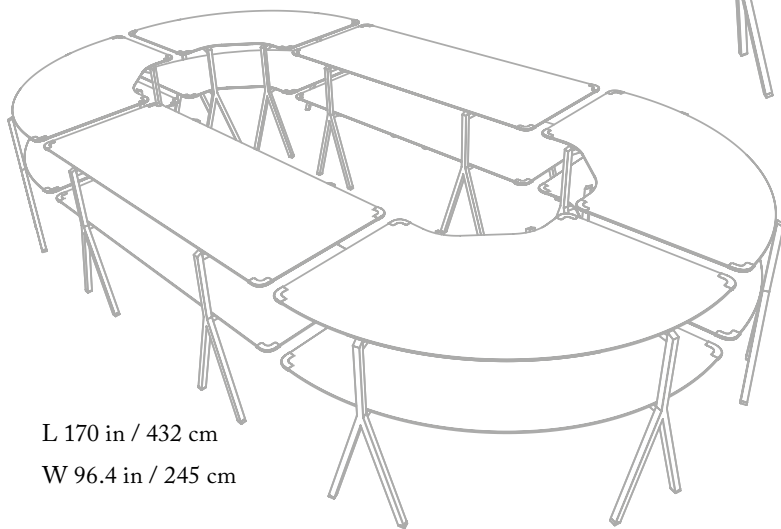


**ACTION ... GO ...**

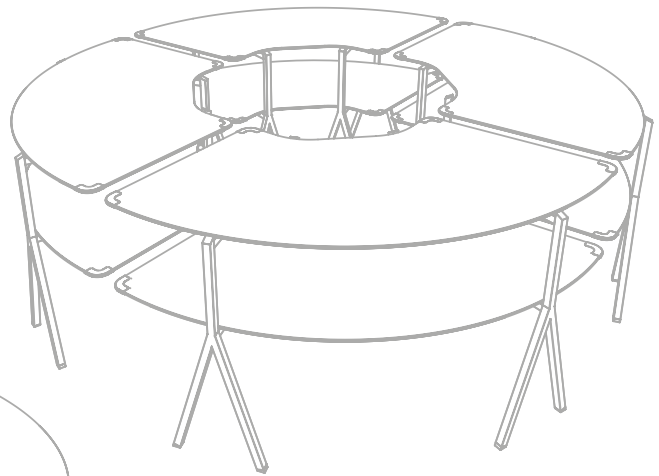




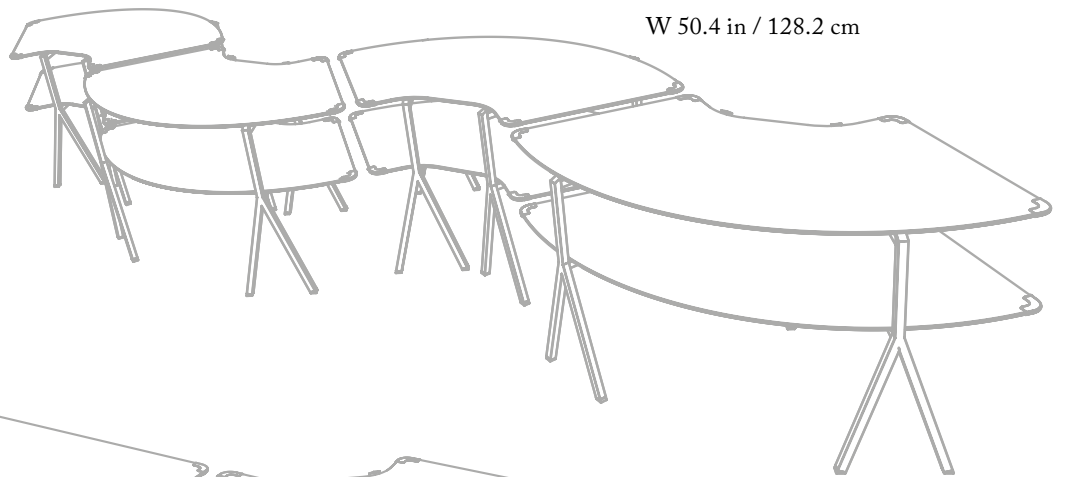
# ENDLESS CONFIGURATIONS



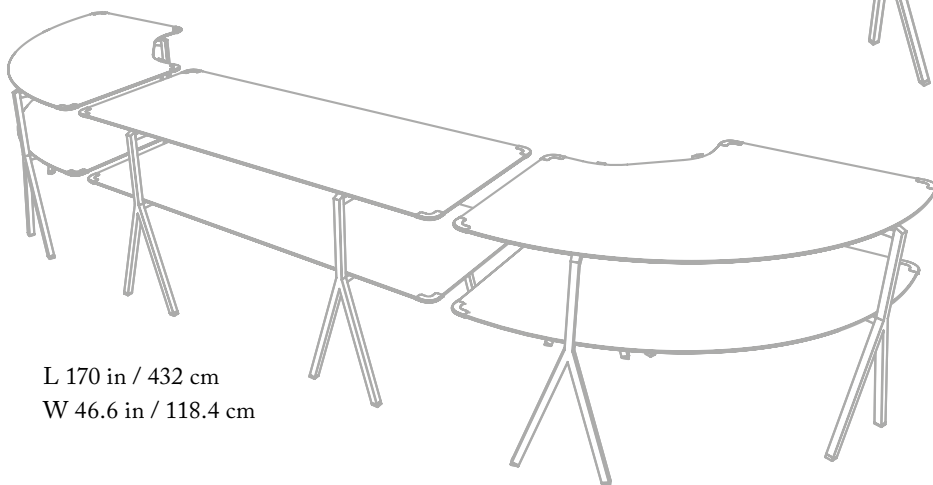
L 170 in / 432 cm  
W 96.4 in / 245 cm



97.8 in / 246.6 cm



L 208.10 in / 528.5 cm  
W 50.4 in / 128.2 cm



L 170 in / 432 cm  
W 46.6 in / 118.4 cm



**rosseto**  
SERVING SOLUTIONS



# MODULITE™

## Modular F+B shelving system

Modulite™ is the perfect solution for all your food service needs, whether it's a pop-up market, grab-and-go concept, back bar, sweet station, reception, or any other event limited only by your creativity. With the ability to customize your cart and choose from a variety of accessories designed with you in mind, the possibilities are endless.

If you need to serve a larger volume of food and beverages, you can easily connect two carts together to create a long and impressive stand that will suit all types of events and needs.

Our carts are fully mobile, making it easy to transport your offerings wherever you need them to be. Experience the flexibility and convenience of Modulite™ for yourself.

**Patent Pending**





# CREATE YOUR OWN CART

Modular & mobile shelving system



**Modulite™ Cart Frame**  
w/bamboo base and 4  
rotating wheels  
36x20x56.2 in  
91.4x50.8x143 cm  
Item # MC-Base



**Modulite™ EZ-SERV® Kit**

Includes 5 EZ-SERV containers (1.3 gallons each), wall bracket, catch tray  
 34x5.5x29 in  
 86.4x14x73.6 cm  
 Item # EZS-K



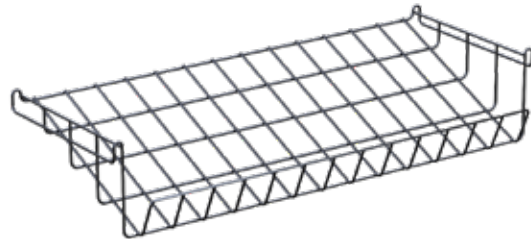
**Modulite™ PRO BULK® Kit**

Includes 6 PRO-BULK containers (3.5 gallons each), matching shelf, catch tray  
 33.5x19x27 in  
 85.1x48.3x68.6 cm  
 Item # PB- K



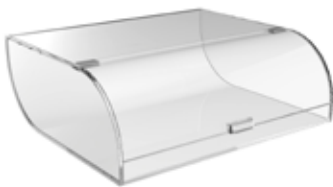
**Modulite™ Chalkboard Sign**

32.4x0.3x7.9 in  
 82.3x.76x20.1 cm  
 Item # MC-TS



**Modulite™ Wire Basket**

33.7x14.4x6.6 in  
 85.6x36.6x16.8 cm  
 Item # MC-WS1



**Single Tier Acrylic Bakery Case**

15x12.75x5.25 in  
 38.1x32.4x13.34 cm  
 Item # BAKST2248



**Modulite™ Bamboo Box**

16x12.7x5.3 in  
 40.6x32.3x13.5 cm  
 Item # MC-BB



**Modulite™ Bamboo Shelf**

33.50x12.5x1.25 in  
 85.09x31.75x3.18 cm  
 Item # MC-BS1

# CREATE YOUR OWN CART

Modular & mobile shelving system



**Modulite™ Cart Frame**  
w/bamboo base and 4  
rotating wheels  
36x20x61.5 in  
91x51x156 cm  
Item # MC-BASE2





**Modulite™ EZ-SERV® Kit**

Includes 5 EZ-SERV containers (1.3 gallons each), wall bracket, catch tray  
 34x7.8x27.5 in  
 86x20x70 cm  
 Item # MC- EZS-K



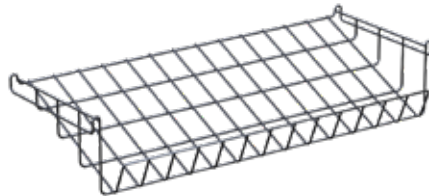
**Modulite™ PRO BULK® Kit**

Includes 6 PRO-BULK containers (3.5 gallons each), matching shelf, catch tray  
 33.5x15.8x27 in  
 85x40x69 cm  
 Item # PB-K2



**Modulite™ Chalkboard Sign**

34.7x0.3x7.9 in  
 88x0.8x20 cm  
 Item # MC-TS



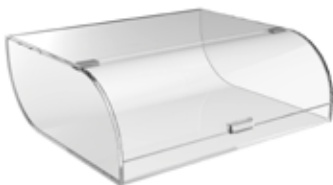
**Modulite™ Wire Basket**

33.7x14.4x6.6 in  
 86x37x17 cm  
 Item # MC-WS1



**Ice Cooler and Tray Set - Clear and Black Acrylic, 1 EA**

16x12.3x6.3 in  
 41x31x16 cm  
 Item # ICS100



**Single Tier Acrylic Bakery Case**

15x12.8x5.3 in  
 38x33x14 cm  
 Item # BAKST2248



**Modulite™ Bamboo Box**

16x13.7x6.6 in  
 41x35x17 cm  
 Item # MC-BB2



**Modulite™ Bamboo Shelf**

33.5x13.5x1.3 in  
 85x34x3 cm  
 Item # MC-BS2

# CUSTOMERS CHOICE



## Modulite™ Kit A

Includes cart frame with wheels, 5 EZ-SERV containers (1.3 gallons each), wall bracket, catch tray, 3 bamboo shelves, 1 wire basket  
36x20x71.6 in  
91.4x50.8x181.9 cm  
Item # MC-EZS5



## Modulite™ Kit B

Includes cart frame with wheels, 6 PRO-BULK containers (3.5 gallons each), wall bracket, catch tray, 1 bamboo shelf, 1 wire basket  
36x20.5x60 in  
91.4x52.1x152.4 cm  
Item # MC-PB6



## Modulite™ Kit C

Includes cart frame with wheels, 3 bamboo shelves, 1 wire basket, 1 chalkboard sign  
36x20x56.2 in  
91.4x50.8x142.7 cm  
Item # MC-Basic



# CUSTOMERS CHOICE



## Modulite™ Kit D

Includes cart frame with wheels,  
5 EZ-SERV containers (1.3 gallons  
each), wall bracket, catch tray, 3  
black bamboo shelves, 1 wire basket  
36x20x73 in  
91x51x185 cm  
Item # MC-EZS52

**Modulite™ Kit E**  
Includes cart frame with  
wheels, 6 PRO-BULK  
containers (3.5 gallons  
each), wall bracket,  
catch tray, 1 black  
bamboo shelf, 1 wire  
basket  
36x20x63 in  
91x51x160 cm  
Item # MC-PB62



**Modulite™ Kit F**  
Includes cart frame with  
wheels, 3 black bamboo  
shelves, 1 wire basket,  
1 chalkboard sign  
36x20x61.5 in  
91x51x156 cm  
Item # MC-BASIC2









*Pastries*

MODULITE™

# SUGGESTED CONFIGURATIONS









MODULITE™



# MODULITE™ SERVING CART





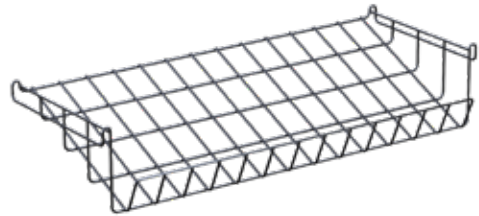
# CREATE YOUR OWN CART



**Modulite™ Serving Cart, Black and  
Bamboo Base and Handle**  
45.28 x 20.08 x 37.59 in  
115 x 51 x 95 cm  
Item # MC-SERVBASE



**Natura™ Double Medium  
Bamboo Tray**  
19.4×13×3.5 in  
49×33×9 cm  
Item # BD135



**Modulite™ Wire Basket**  
33.7×14.4×6.6 in  
86×37×17 cm  
Item # MC-WS1



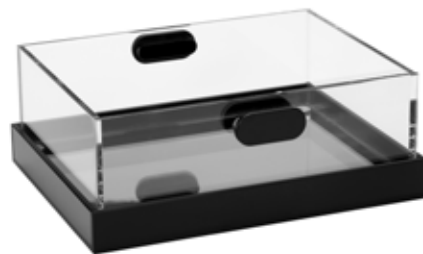
**Modulite™ Bamboo Shelf**  
33.5×13.5×1.3 in  
85×34×3 cm  
Item # MC-BS1



**Modulite™ Bamboo Box**  
16×13.7×6.6 in  
41×35×17 cm  
Item # MC-BB



**Single Tier Acrylic Bakery Case**  
15×12.8×5.3 in  
38×33×14 cm  
Item # BAKST2248



**Ice Cooler and Tray Set -  
Clear and Black Acrylic**  
16×13.3×6.25 in  
41×34×16 cm  
Item # ICS100

# CREATE YOUR OWN CART

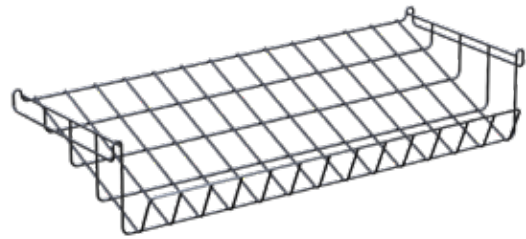


**Modulite™ Serving Cart,**  
**All Black Base & Handle**  
45.28 x 20.08 x 37.59 in  
115 x 51 x 95 cm  
**Item # MC-SERVBASE2**





**Natura™ Double Medium  
Bamboo Tray**  
19.4 × 13 × 3.5 in  
49 × 33 × 9 cm  
Item # **BD135**



**Modulite™ Wire Basket**  
33.7 × 14.4 × 6.6 in  
86 × 37 × 17 cm  
Item # **MC-WS1**



**Single Tier Acrylic Bakery Case**  
15 × 12.8 × 5.3 in  
38 × 33 × 14 cm  
Item # **BAKST2248**



**Modulite™ Bamboo Box**  
16 × 13.7 × 6.6 in  
41 × 35 × 17 cm  
Item # **MC-BB2**



**Modulite™ Bamboo Shelf**  
33.5 × 13.5 × 1.3 in  
85 × 34 × 3 cm  
Item # **MC-BS2**



**Ice Cooler and Tray Set -  
Clear and Black Acrylic**  
16 × 13.3 × 6.25 in  
41 × 34 × 16 cm  
Item # **ICS100**

# CUSTOMERS CHOICE



**Modulite™ Serving Cart, All Black  
Base and 3 Black Bamboo Shelves**  
45.28 x 20.08 x 37.59 in  
115 x 51 x 95 cm  
**Item # MC-SERVBASIC3BK**



**Modulite™ Serving Cart, All Black  
Metal Base and 2 Black Bamboo  
Shelves w/Black Wire Shelf**  
45.28 x 20.08 x 37.59 in  
115 x 51 x 95 cm  
**Item # MC-SERVBASIC2BK**



# CUSTOMERS CHOICE



**Modulite™ Serving Cart, Black and  
Bamboo Base and 3 Bamboo Shelves**  
45.28×20.08×37.59 in  
115×51×95 cm  
Item # MC-SERVBASIC3B



**Modulite™ Serving Cart, Black and  
Bamboo Base, 2 Bamboo Shelves  
w/ Black Wire Shelf**  
45.28×20.08×37.59 in  
115×51×95 cm  
Item # MC-SERVBASIC2B



# MODULITE™ SERVING CART



